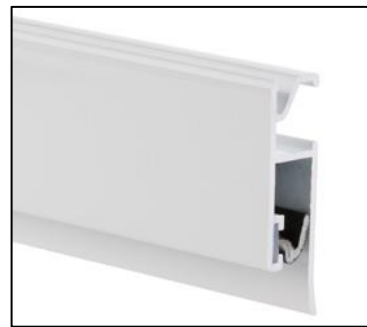
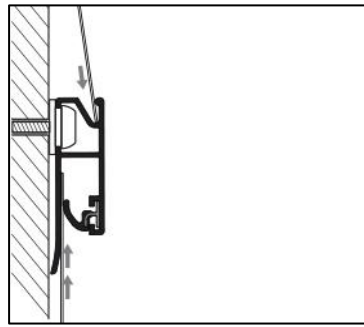
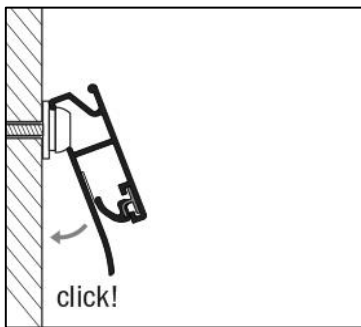


Papergrip Rail



Product Description

Thanks to a strip inside the Papergrip rail, paper and small posters can easily be inserted into the rail and can be removed again with a single motion. Cards and similar objects can be placed in the groove on the top of the rail. The Papergrip Rail can hold both thick and thin paper and can even hold light magazines up to 3.5mm. The rail has a one-piece design that conceals all fastening hardware. Multiple rails can be connected together to create a hanging system that spans an entire wall.

Product Specifications

Dimensions: 45mm High X 13mm Deep
Lengths Available: 50, 100, 150 and 200cm
Colours: White, Textured White, Textured Black and Textured Aluminum

Call to order your free sample today!

31 Airview Road, Toronto, Ontario M9W 4P1 T: (416) 744-2602 F: (416) 744-7080 E: sales@hangit-up.com